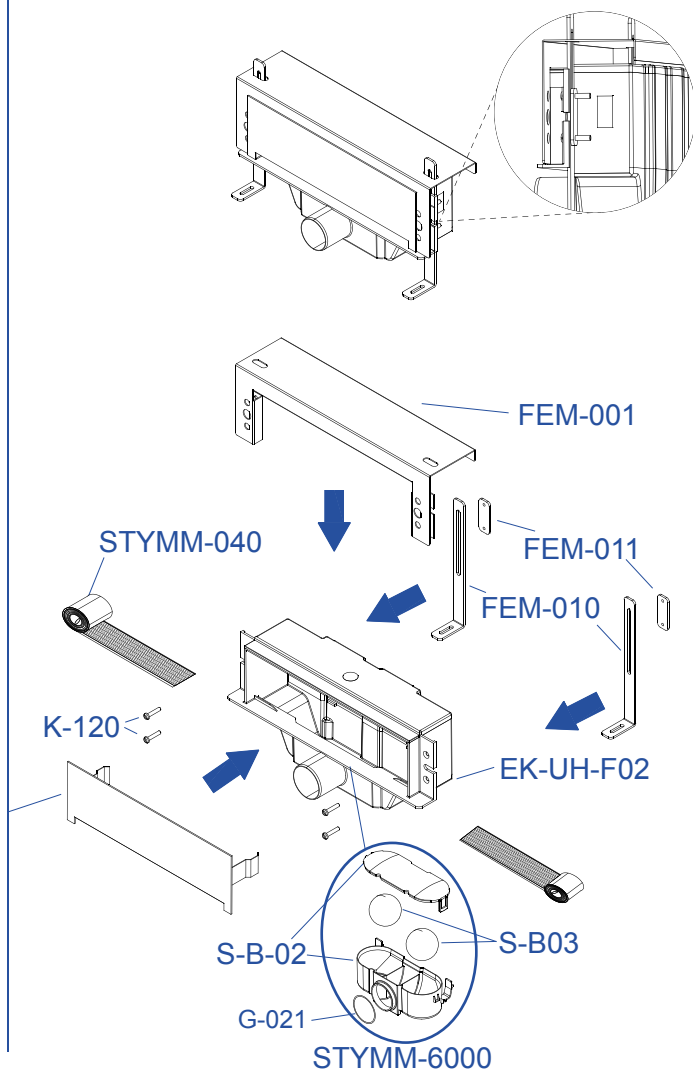
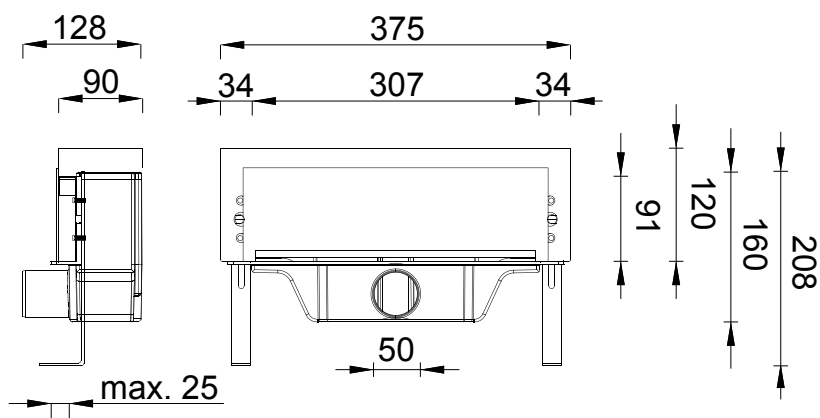
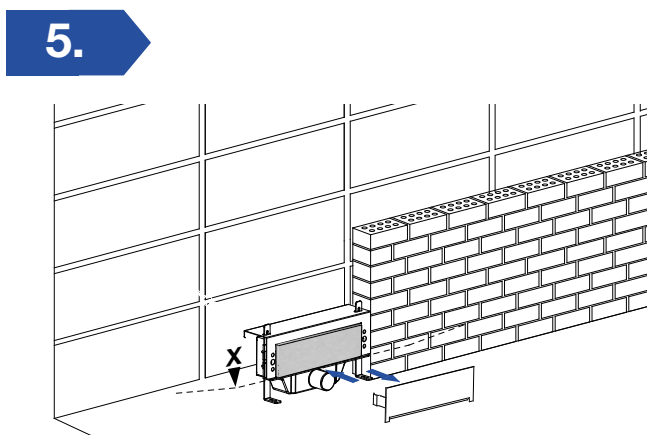
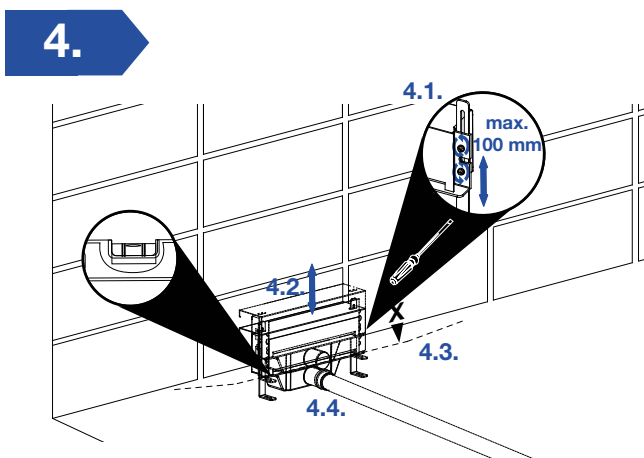
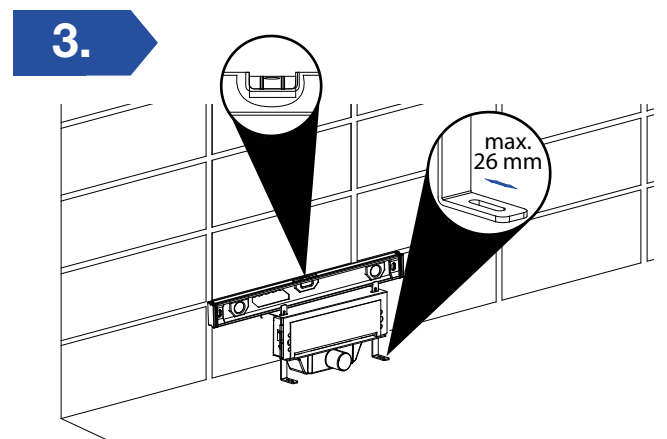
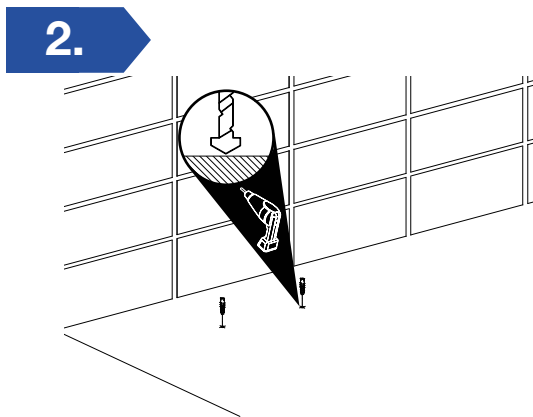
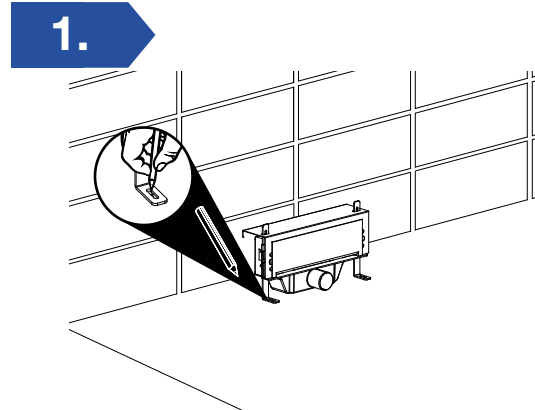
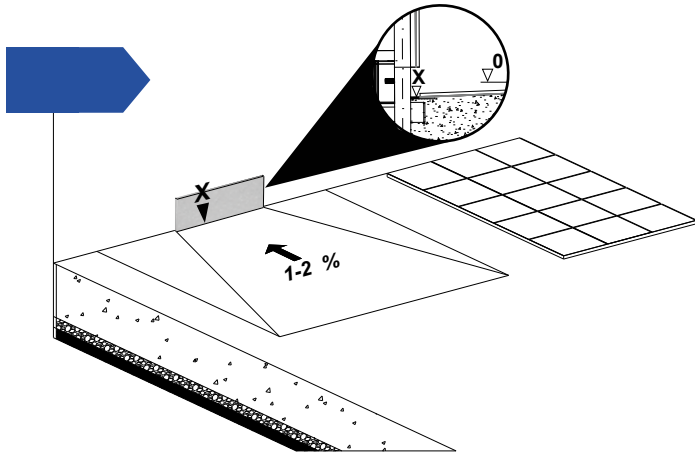
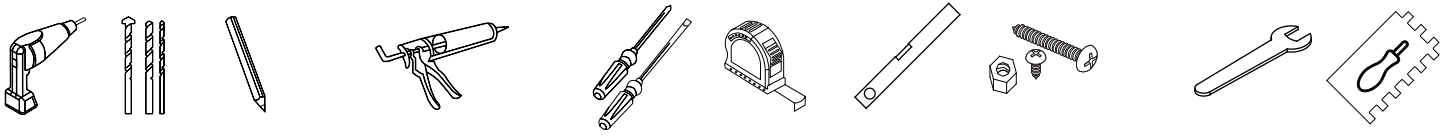


INSTALLATION GUIDE

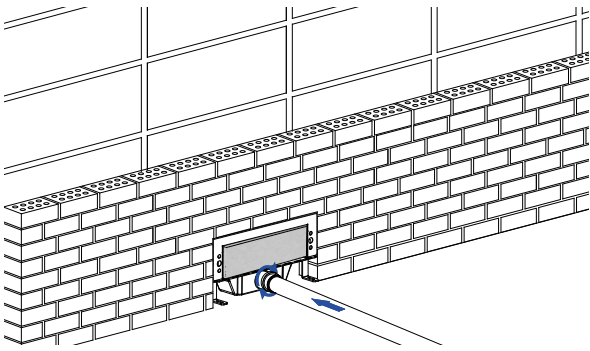
INSTALLATIONSANLEITUNG



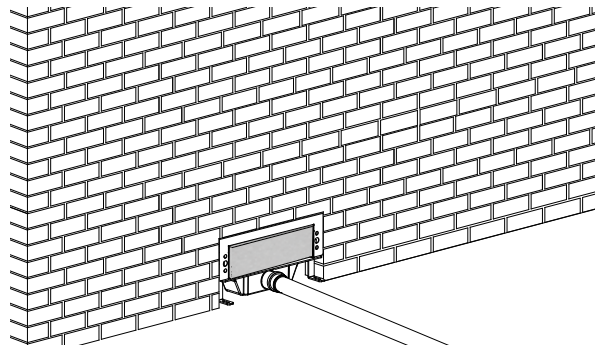
NEEDED TOOLS BENÖTIGTE WERKZEUGE



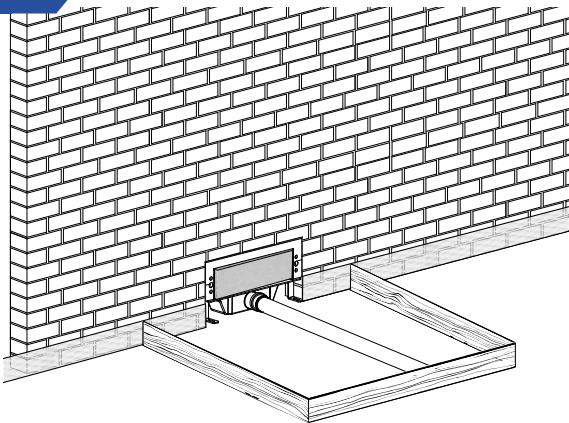
6.



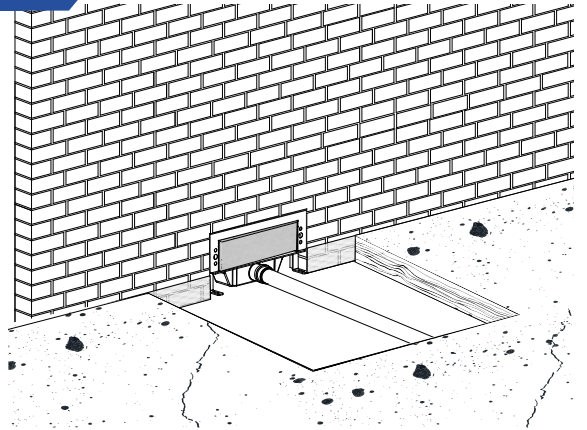
7.



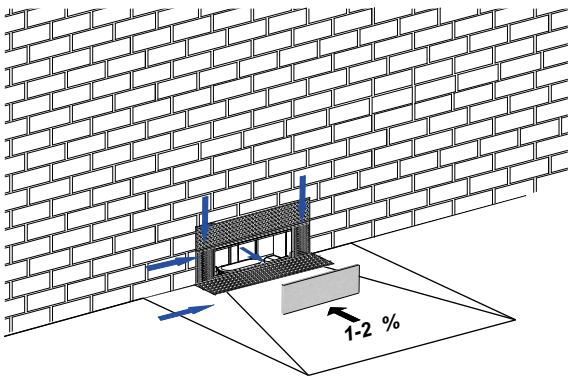
8.



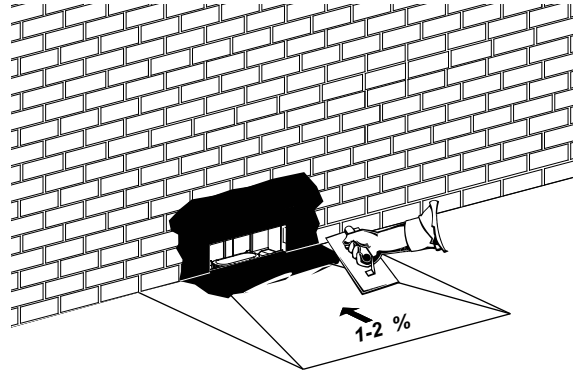
9.



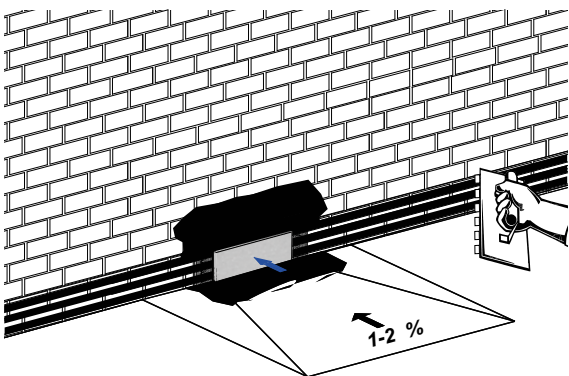
10.



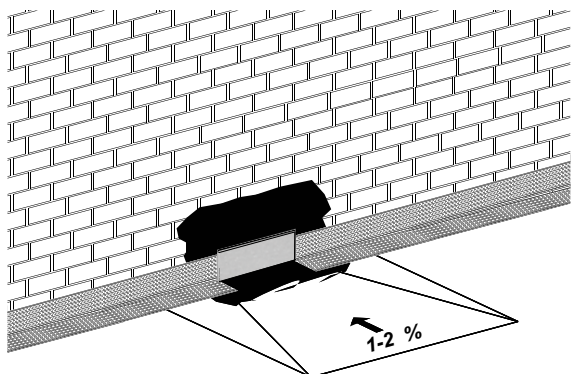
11.



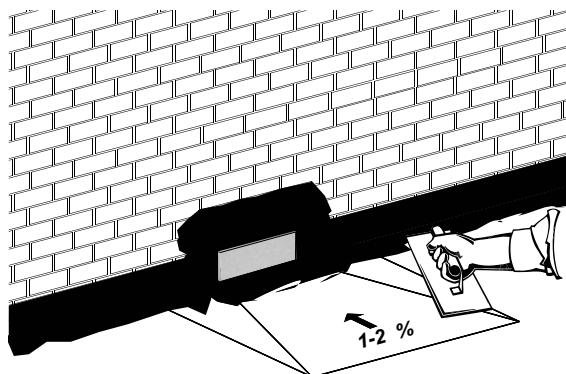
12.



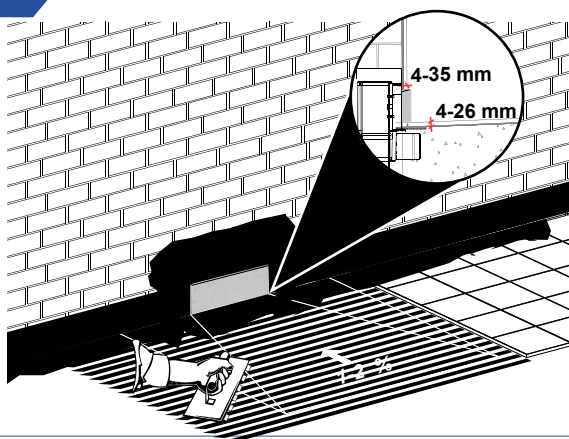
13.



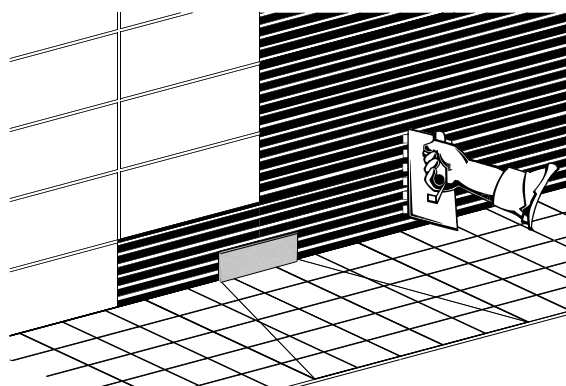
14.



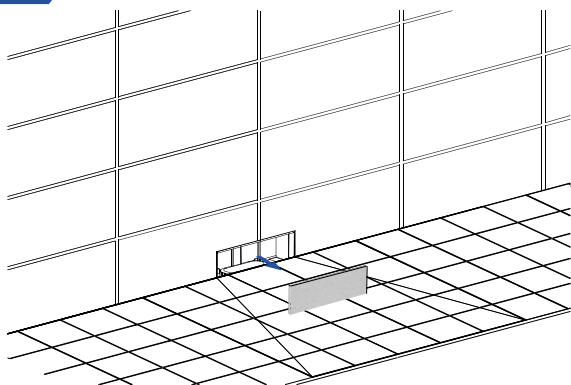
15.



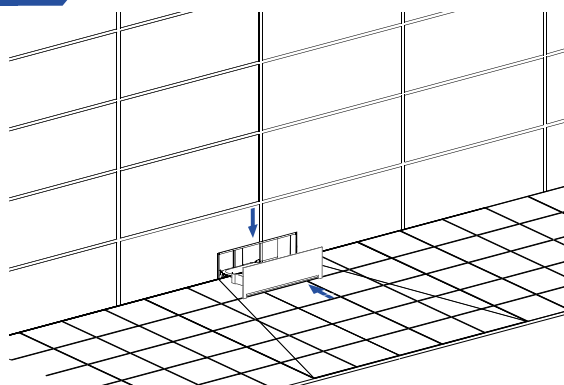
16.



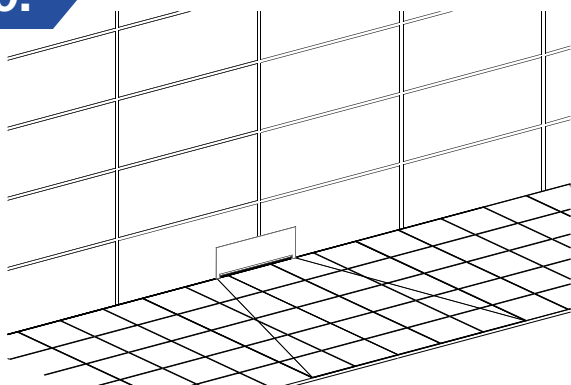
17.



18.



19.



ATTENTION!



Poorly built-in shower channel can cause damage! Therefore, the installation must only be carried out by professionally trained mechanic. If for reasons of poor installation or use of inappropriate material damage occurs, the manufacturer can not be held on liability and able to pay for the damage.